

# Central Brass

COMPANY

**MODEL NO. 0470  
LAUNDRY FAUCET**

Brecksville, Ohio 44141  
Phone: (216) 883-0220 Fax: (440) 526-5745  
www.CentralBrass.com

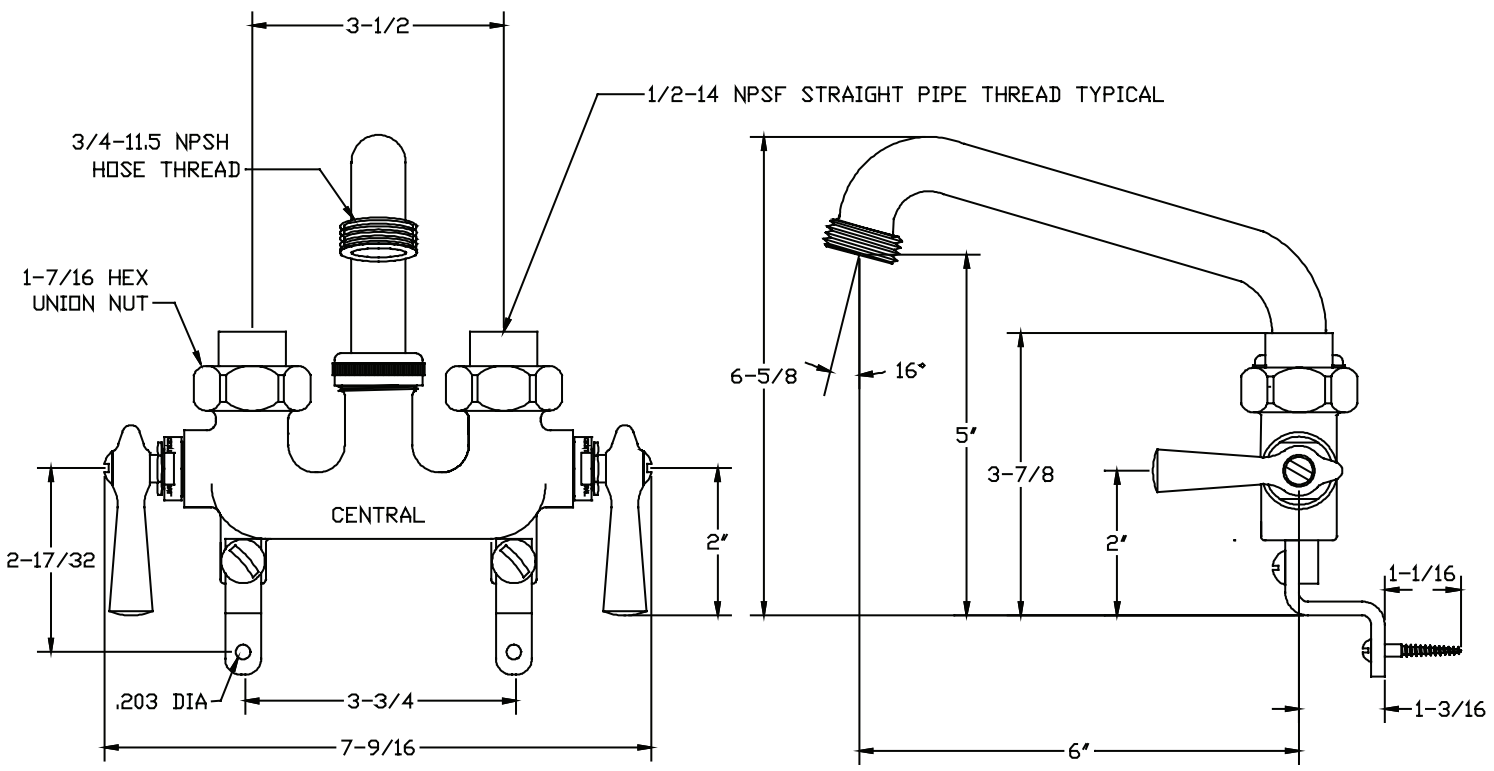
## 0470 (Female Coupling Unions) 0470-C (Copper Sweat Unions)

The laundry faucet has a cast brass body with offset legs and female coupling union supply connections (also available with copper sweat union "C" suffix). The stems are all brass with a double O-Ring seal and rubber seat washer. The 6-inch brass swivel spout has a hose end adapter. The laundry faucet has a rough cast brass finish.

Meets ANSI/NSF Standard 61, Section 9 for Lead  
ASME A112.18.1M  
ADA Compliant



## Installation Drawing



# Central Brass

C O M P A N Y

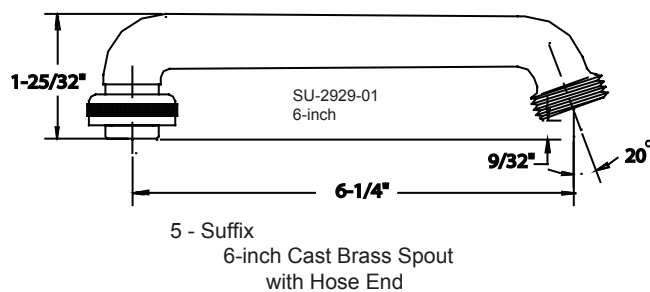
Brecksville, Ohio 44141

Phone: (216) 883-0220 Fax: (440) 526-5745

www.CentralBrass.com

MODEL NO. 0470  
LAUNDRY FAUCET

*Spout variations available*



# Central Brass

COMPANY

Brecksville, Ohio 44141

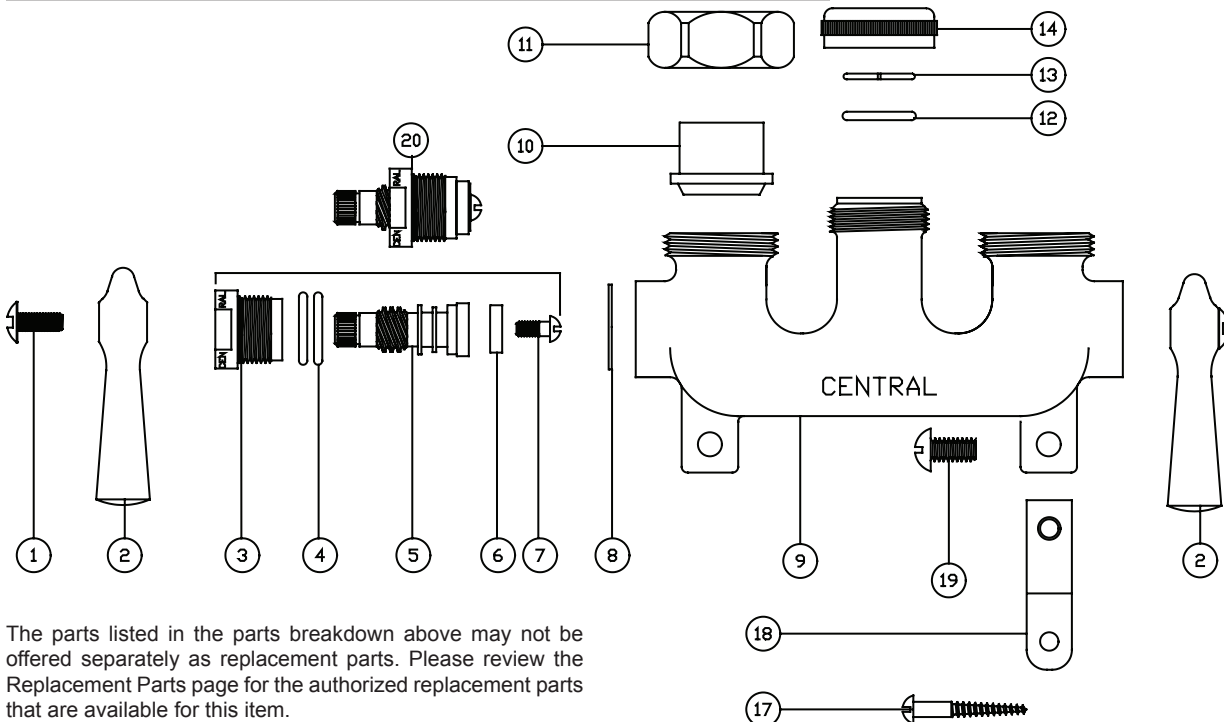
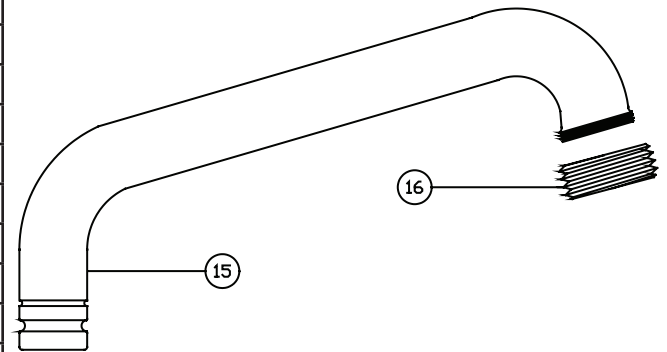
Phone: (216) 883-0220 Fax: (440) 526-5745

www.CentralBrass.com

**MODEL NO. 0470**  
**LAUNDRY FAUCET**

#	Part #	Description
1	126-S	Steel Screw
2	520-AC	Aluminum Handle Indexed "C"
2	520-AH	Aluminum Handle Indexed "H"
3	453-EWC	Brass Left Thread O-Ring Bonnet
3	453-EWH	Brass Right Thread O-Ring Bonnet
4	1038-453	O-Ring
5	453-FL	Brass Left Thread O-Ring Stem
5	453-FR	Brass Right Thread O-Ring Stem
6	901-WNN	Seat Washer
7	104	Brass Seat Washer Screw
8	1028-Y	Nylon Gasket
9	7223	Brass Body
10	1875	Brass Union
11	1876-BB	Brass Coupling
12	1038-KN	O-Ring
13	166-FN	Stainless Steel Snap Ring
14	782-D	Brass Spout Nut
15	2924-01	Brass Swivel Spout
16	784-C	Brass Hose Connector
17	128-RB	Brass Screw
18	7237	Brass Leg
19	118	Brass Screw
20	SU-453-EL	Left Thread O-Ring Stem Assembly
20	SU-453-ER	Right Thread O-Ring Stem Assembly

## Parts Breakdown



The parts listed in the parts breakdown above may not be offered separately as replacement parts. Please review the Replacement Parts page for the authorized replacement parts that are available for this item.