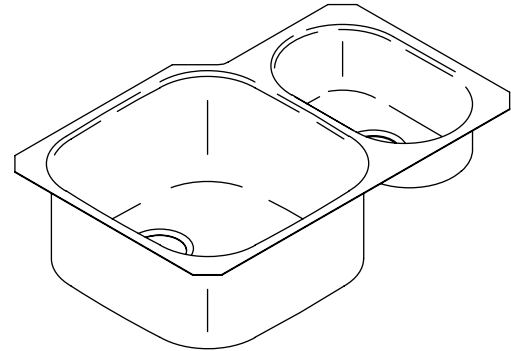


### UNDERCOUNTER KITCHEN SINK K-3355

#### Features

- 18-gauge stainless steel
- Undercounter
- Rounded bowl(s)
- Includes installation hardware
- 9-1/2" (24.1 cm) deep left basin and 5-1/2" (14 cm) deep right basin (K-3355)
- 5-1/2" (14 cm) deep left basin and 9-1/2" (24.1 cm) deep right basin (K-3355-L)
- 28-1/2" (72.4 cm) x 17-7/8" (45.4 cm)



#### Codes/Standards Applicable

Specified model meets or exceeds the following:

- ASME A112.19.3/CSA B45.4

#### Colors/Finishes

- NA: None applicable

#### Accessories:

- CP: Polished Chrome
- 0: White
- NA: None applicable
- Other: Refer to Price Book for additional colors/finishes

#### Specified Model

Model	Description	Colors/Finishes
K-3355	Undercounter sink with 9-1/2" (24.1 cm) deep left basin and 5-1/2" (14 cm) deep right basin	<input type="checkbox"/> NA
K-3355-L	Undercounter sink with 5-1/2" (14 cm) deep left basin and 9-1/2" (24.1 cm) deep right basin	<input type="checkbox"/> NA

Optional Accessories			
K-2989	Countertop cutting board	<input type="checkbox"/> NA	
K-3191	Bottom basin rack (for large basin)	<input type="checkbox"/> 0 White	<input type="checkbox"/> Other _____
K-3279	Wire rinse basket (for large basin)	<input type="checkbox"/> 0 White	<input type="checkbox"/> Other _____
K-3292	Hardwood cutting board/colander set (for small basin)	<input type="checkbox"/> NA	
K-8801	Duostrainer® sink strainer	<input type="checkbox"/> CP	<input type="checkbox"/> Other _____

#### Product Specification:

The undercounter kitchen sink shall be 28-1/2" (72.4 cm) in length and 17-7/8" (45.4 cm) in width. Sink shall be made of 18 gauge stainless steel. Sink shall feature a double (high/low) compartment with rounded bowls. Kohler Model K-3355 sink shall have a 9-1/2" (24.1 cm) deep left basin and a 5-1/2" (14 cm) deep right basin. Kohler Model K-3355-L sink shall have a 5-1/2" (14 cm) deep left basin and a 9-1/2" (24.1 cm) deep right basin. Sink shall include installation hardware. Sink shall be Kohler Model K-3355-\_\_\_\_\_.

# UNDERTONE®

## Technical Information

**Dimensions shown for K-3355;** sink dimensions are opposite for K-3355-L.

Fixture*:	Basin area	Water depth
Sink, left	18" (45.7 cm) x 18" (45.7 cm)	9-1/2" (24.1 cm)
Sink, right	9" (22.9 cm) x 15" (38.1 cm)	5-1/2" (14 cm)
Drain holes	3-5/8" (9.2 cm) D.	

\* Approximate measurements for comparison only.

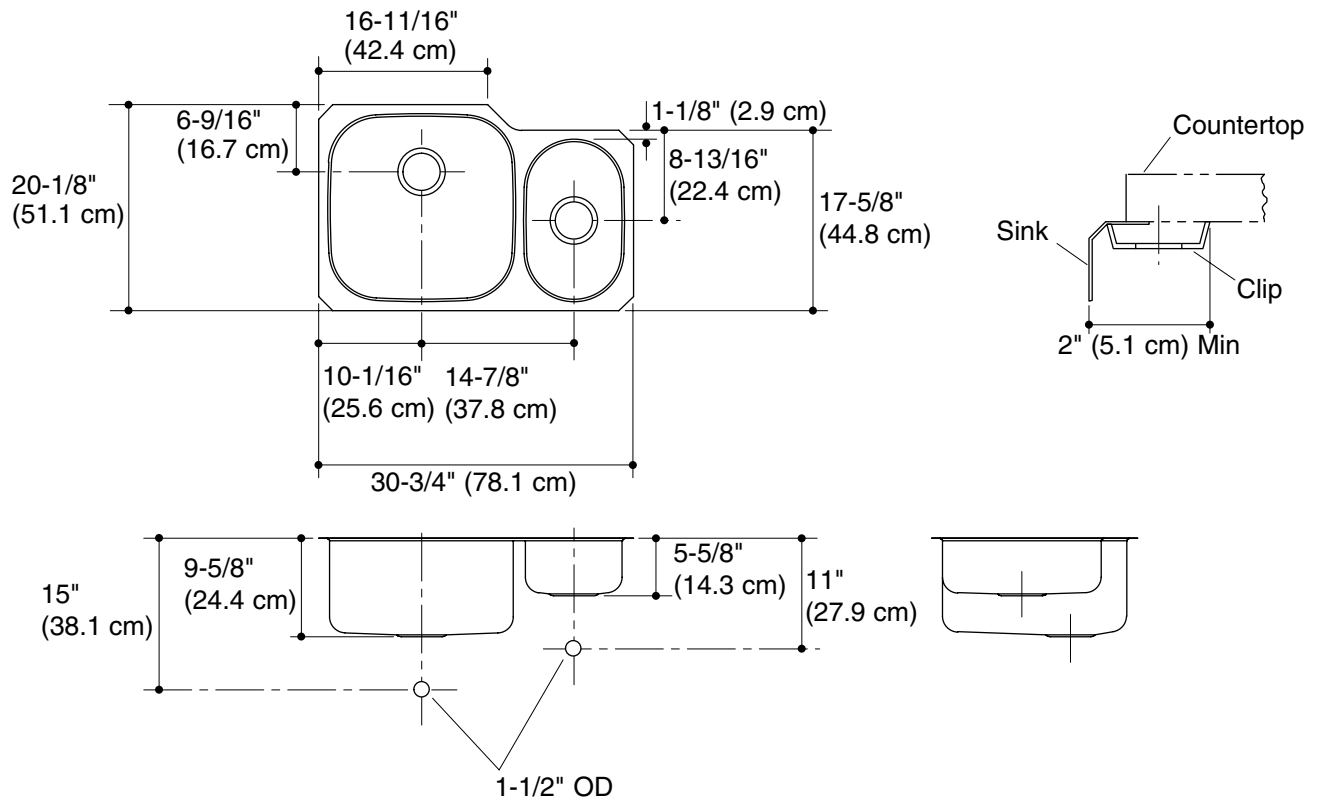
Included Components:

Hardware kit (4 required)	91915
Cut-out template (K-3355)	1040559-7
Cut-out template (K-3355-L)	1024993-7

## Installation Notes

Install this product according to the installation guide.

Allow a minimum of 2" (5.1 cm) clearance around the sink rim for clip attachment.



## Product Diagram