



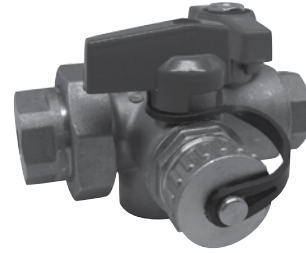
ECO-VALVE

Figure # 3401AB

Low Lead Brass Tankless Water Heater
Hot Valve

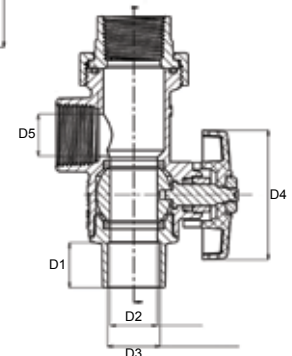
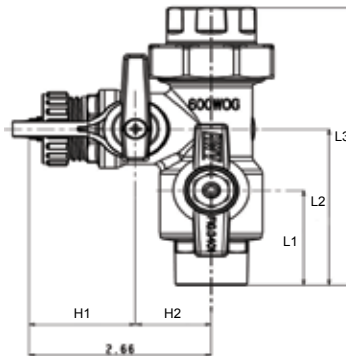
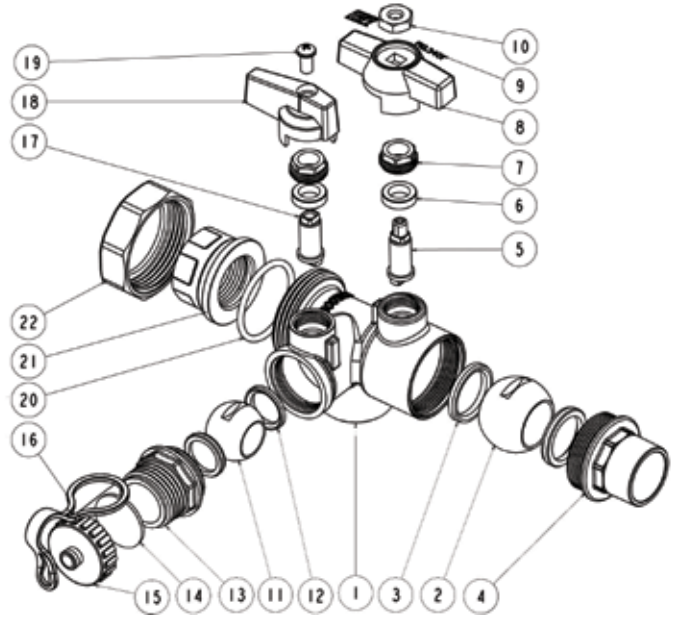
Product Features

- Forged Brass Construction
- 600# WOG Rating (non-shock)
- 1/4 Turn Operation
- Adjustable Packing
- Blow-Out Proof Stem
- Integral Hose End Drain/Purge Valve
- FNPT x Solder Ends
- Integral Relief Valve Port
- Hot Valve Operation
- AB1953 Certified



Materials & Specifications

Item	Description	Material	Specification
1	Body	Low Lead Brass	CW510L
2	Ball	Low Lead Brass/Cr Plated	CW510L
3	Seat	PTFE	PTFE
4	Fixed end	Low Lead Brass	CW510L
5	Stem	Low Lead Brass	CW510L
6	Packing ring	PTFE	PTFE
7	Packing nut	Brass	B124 C37700
8	Red T-handle	Aluminum	ASTM B85
9	Valve info	-	-
10	Handle nut	Steel Zinc Plated	ASTM A36
11	Ball	Low Lead Brass/Cr Plated	CW510L
12	Seat	PTFE	PTFE
13	Fixed end	Low Lead Brass	CW510L
14	Drain gasket	EPDM Perox	NSF Approved
15	Drain cap	Brass	B283 C37700
16	Cap retainer	Rubber	-
17	Stem	Low Lead Brass	CW510L
18	Red L-handle	Aluminum	ASTM B85
19	Handle screw	Steel Zinc Plated	ASTM A36
20	O-ring	EPDM Perox	NSF Approved
21	Union	Brass	B283 C37700
22	Union nut	Brass	B283 C37700



Dimensions & Weights (inches-lbs.)

Size	H1	H2	L1	L2	L3	D1	D2	D3	D4	D5	Wt.
3/4"	1.56	1.10	1.56	2.56	4.55	0.75	0.79	0.88	2.17	0.71	1.80
1"	1.48	1.18	1.69	2.76	4.59	0.91	0.98	1.13	3.23	0.73	1.96

RED-WHITE VALVE CORP.

20600 Regency Lane, Lake Forest, CA 92630

TEL: 949.859.1010 • FAX: 949.859.7200 • www.redwhitevalvecorp.com



ECO-VALVE

Figure # 3402AB

Low Lead Brass Tankless Water Heater
Cold Valve

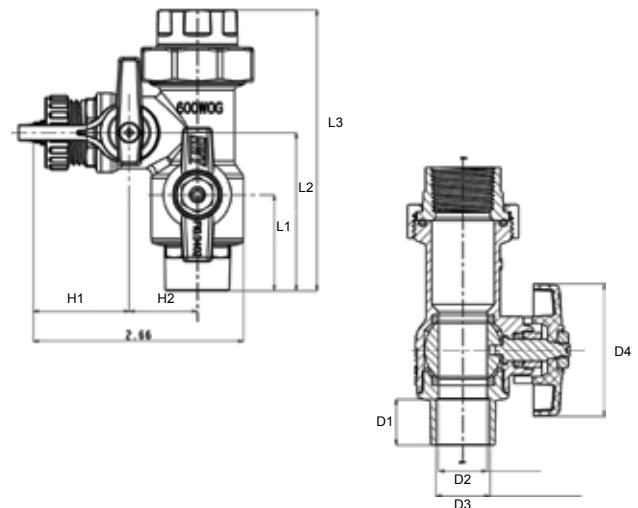
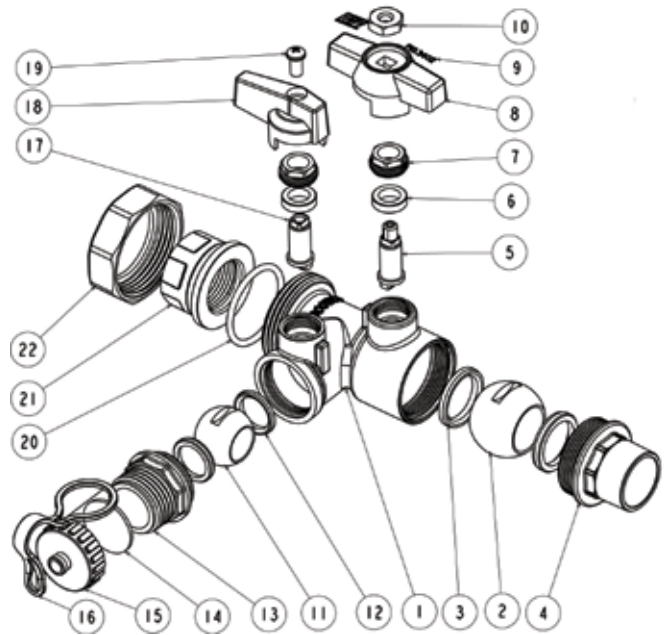
Product Features

- Forged Brass Construction
- 600# WOG Rating (non-shock)
- 1/4 Turn Operation
- Adjustable Packing
- Blow-Out Proof Stem
- Integral Hose End Drain/Purge Valve
- FNPT x Solder Ends
- Cold Valve Operation
- AB1953 Certified



Materials & Specifications

Item	Description	Material	Specification
1	Body	Low Lead Brass	CW510L
2	Ball	Low Lead Brass/Cr Plated	CW510L
3	Seat	PTFE	PTFE
4	End cap	Low Lead Brass	CW510L
5	Stem	Low Lead Brass	CW510L
6	Packing	PTFE	PTFE
7	Packing nut	Brass	B124 C37700
8	Blue T-handle	Aluminum	ASTM B85
9	Valve info	-	-
10	Handle nut	Steel Zinc Plated	ASTM A36
11	Ball	Low Lead Brass/Cr Plated	CW510L
12	Seat	PTFE	PTFE
13	End cap	Low Lead Brass	CW510L
14	Drain gasket	EPDM Perox	NSF Approved
15	Drain cap	Brass	B283 C37700
16	Cap retainer	Rubber	-
17	Stem	Low Lead Brass	CW510L
18	Blue L-handle	Aluminum	ASTM B85
19	Handle screw	Steel Zinc Plated	ASTM A36
20	O-ring	EPDM Perox	NSF Approved
21	Union	Brass	B283 C37700
22	Union nut	Brass	B283 C37700



Weights (inches-lbs.)

Size	H1	H2	L1	L2	L3	D1	D2	D3	D4	Wt.
3/4"	1.56	1.10	1.56	2.56	4.55	0.75	0.79	0.88	2.17	1.69
1"	1.48	1.18	1.69	2.76	4.59	0.91	0.98	1.13	3.23	1.83

RED-WHITE VALVE CORP.

20600 Regency Lane, Lake Forest, CA 92630

TEL: 949.859.1010 • FAX: 949.859.7200 • www.redwhitevalvecorp.com