

For Residential and Commercial Applications

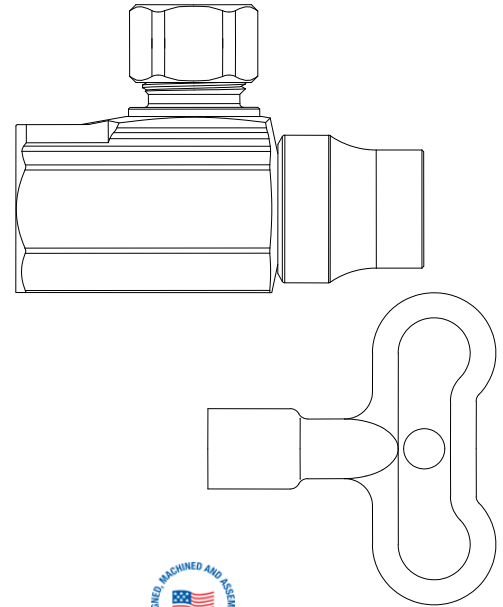
Job Name		Engineer / Architect	
Job Location		Wholesaler	
Submittal Date		Contractor	

KTSR15 / KTSR17 1/4 Turn Angle Ball Stop w/ Loose Key – Female Iron Pipe x Compression

Use: For use in potable water distribution systems

Design Features:

- **Precision-machined brass ball** is specially engineered and mated with PTFE seats to provide smooth operation without freeze ups even after long periods of non-use
- **TWO high-performance o-rings** withstand high temperatures and corrosion from harsh water environments
- **Machined one-piece brass body** provides strength, durability, and long-lasting performance
- **Blow-out proof brass stem** is assembled from the inside out with two o-rings to ensure safe, reliable performance
- **Plated stem** provides corrosion resistance and prevents o-ring damage after long periods of non-use
- **100%** Leak tested
- **100%** Compliant



Operating Specifications:

Temperature: 40° - 180° F
Pressure: 125 PSI maximum

Standard

STOP MATERIAL SPECIFICATIONS	
Body	Brass, chrome plated
Stem	Brass, chrome plated
Seat	PTFE
Ball	Brass, chrome plated
O-ring	Rubber
Lock Shield	Brass, chrome plated
Loose Key	Zinc die cast, plated
Compression Sleeve	Brass
Compression Nut	Brass or brass, chrome plated

Compliant

STOP MATERIAL SPECIFICATIONS	
Body	Compliant brass, chrome plated
Stem	Compliant brass, chrome plated
Seat	PTFE
Ball	Compliant brass, chrome plated
O-ring	Rubber
Lock Shield	Brass, chrome plated
Loose Key	Zinc die cast, plated
Compression Sleeve	Brass
Compression Nut	Brass or brass, chrome plated

This specification and all information contained herein is the confidential and exclusive property of BrassCraft Manufacturing, and shall not be disclosed to others without the written consent of BrassCraft Mfg. This specification must be returned to BrassCraft Mfg if requested.



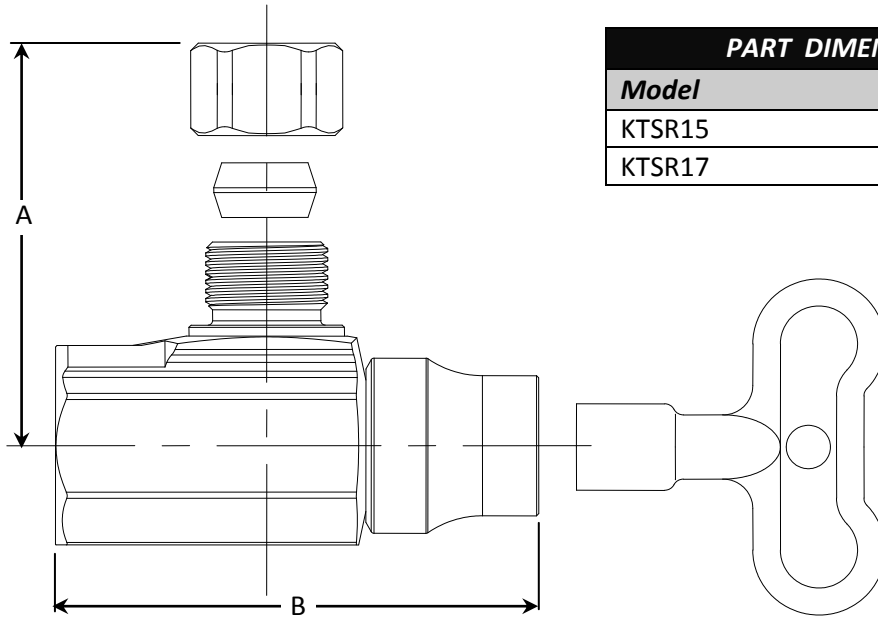
KTSR15 / KTSR17 1/4 Turn Angle Ball Stop w/ Loose Key – Female Iron Pipe x Compression

Standard Part Listing:

- KTSR15 C 3/8" FIP x 3/8" OD compression, chrome plated
- KTSR17 C 1/2" FIP x 3/8" OD compression, chrome plated

Compliant Part Listing:

- KTSR17X C 1/2" FIP x 3/8" OD compression, chrome plated



PART DIMENSIONS (Inches)		
Model	DIM. A	DIM. B
KTSR15	1.20	2.20
KTSR17	1.20	2.20

Listings & Certifications:

- IAPMO listed to ASME A112.18.1-05 /CSA B125.1-05 (File # 0645)
- CSA listed to ASME A112.18.1-05 / CSA B125.1-05 (File # 204593)
- Compliant product CSA listed to Low Lead Content Certification Program – Plumbing Products Class 6853-01



This specification and all information contained herein is the confidential and exclusive property of BrassCraft Manufacturing, and shall not be disclosed to others without the written consent of BrassCraft Mfg. This specification must be returned to BrassCraft Mfg if requested.

BrassCraft®