

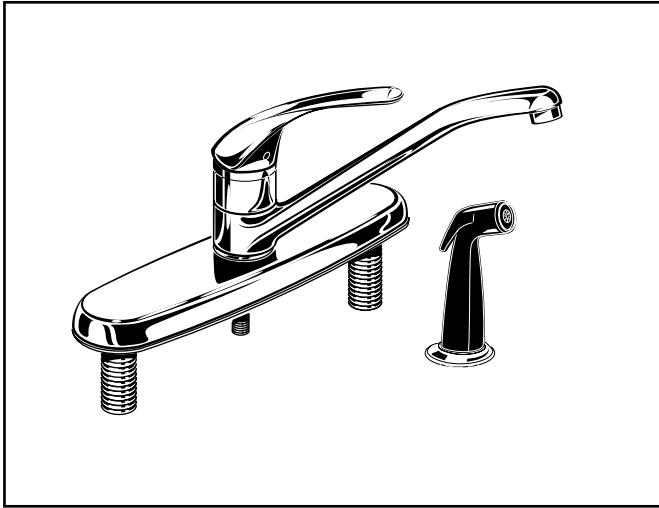
# American Standard

# Colony Soft

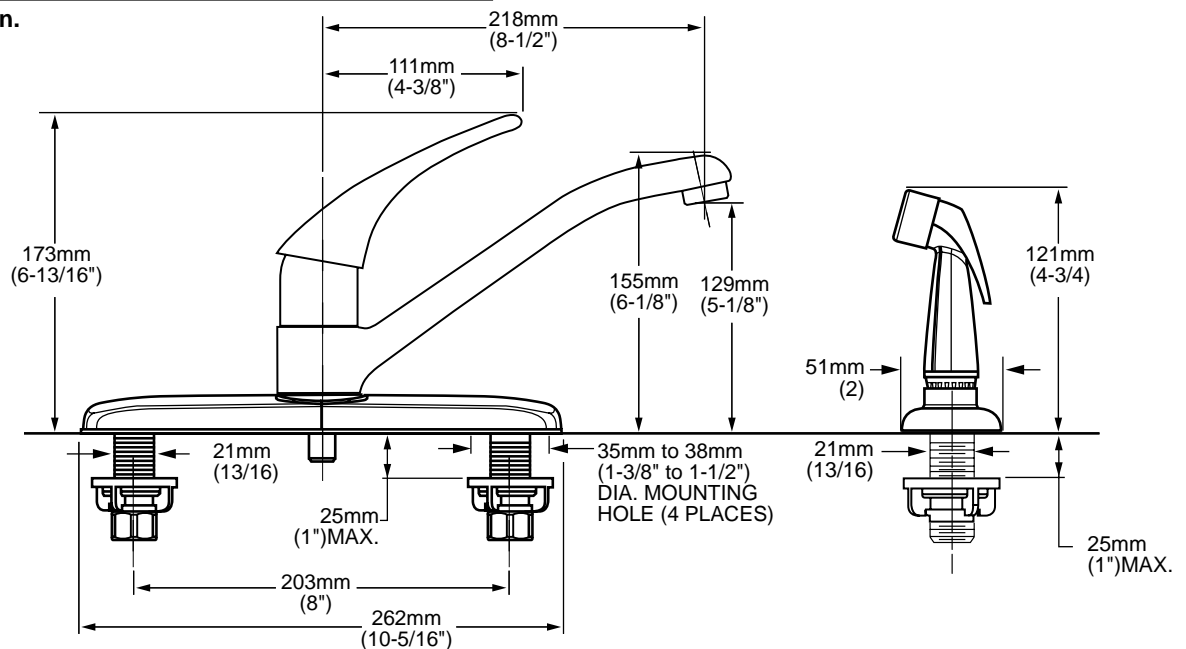
## SINGLE CONTROL KITCHEN FAUCET

### MODEL NUMBER:

- 4175.501 Kitchen Faucet**  
Metal Lever Handle. Separate Handspray.
- 4175.503 Kitchen Faucet**  
Metal Lever Handle. Handspray through escutcheon.
- 4175.500 Kitchen Faucet**  
Metal Lever Handle. Less Handspray.



4175.501 Shown.



### GENERAL DESCRIPTION:

Washerless 40mm ceramic disc valve cartridge. Cast brass waterway with 1/2" male inlet shanks. Cast Brass 8-1/2" (218mm) long swing spout. Metal lever handle. Metal escutcheon plate (escutcheon size 10-5/16"L x 2-3/8"W). 2.2gpm/8.3L/min. maximum flow rate.

### PRODUCT FEATURES:

**Cast Brass Waterways with "City Shanks":** Strong and durable. Integral tabs on casting provide a wobble-free installation.

**Ceramic Disc Valve Cartridge:** Assures a lifetime of drip-free performance.

**Low Lead:** Meets NSF Standard 61/Section 9 & Prop 65 lead requirements.

**Memory Position Valving:** Allows user to turn valve on and off at preferred temperature setting without readjusting handle position each time.

**Large "Comfort Zone":** Allows easy fine tuning of temperature.

**Simple Installation:** Fast and easy one person installation. Faucet drops in from top. Quick spin nuts secure faucet in place.

### SUGGESTED SPECIFICATION:

Single control kitchen fitting shall feature cast brass waterway. Shall also feature washerless 40mm ceramic disc valve cartridge. Cast brass swing spout. Fitting shall be American Standard Model # 4175.\_\_\_\_.\_\_\_\_.



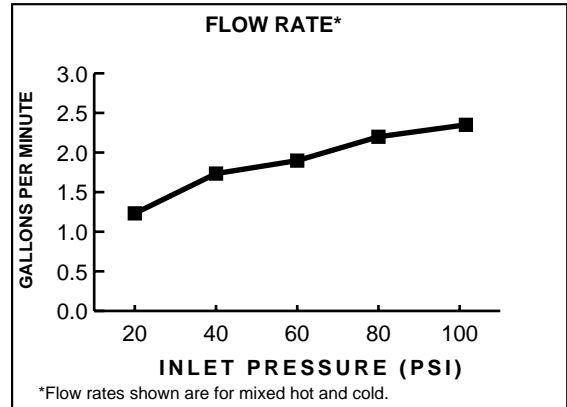
# Colony Soft

## SINGLE CONTROL KITCHEN FAUCET


### CODES AND STANDARDS

These products meet or exceed the following codes and standards:

- ANSI A117.1
- ASME A112.18.1M
- CSA B125
- NSF 61/Section 9



Product Number	Description	Finish Options	
		Polished Chrome	PVD Polished Brass
		002	099
4175.501	Kitchen Faucet. Separate Handspray.		
4175.503	Kitchen Faucet. Handspray through escutcheon.		
4175.500	Kitchen Faucet. Less Handspray.		

 Meets the American Disabilities Act Guidelines and **ANSI A117.1** Requirements for the physically challenged.