

WASHBROOK® FloWise® 0.125 GPF ULTRA HIGH EFFICIENCY URINAL SYSTEM

- ❑ **6590.525** 0.125 gpf Exposed Top Spud Urinal and Selectronic® Urinal Flush Valve

URINAL:

- Vitreous china
- Ultra High Efficiency, Low Consumption. Operates in the range of 0.125 gpf to 1.0 gpf (0.5 Lpf to 3.8 Lpf)
- Flushing rim
- Elongated 14" rim from finished wall
- Washout flush action
- Extended sides for privacy
- 3/4" inlet spud
- Outlet connection threaded 2" inside (NPTF)
- Strainer included
- Meets ASME flush requirements at 0.125 gpf
- Model 6590.001 top spud

SELECTRONIC® FLUSH VALVE:

- Integral flow regulator delivers consistent flush volume regardless of inlet water pressure
- Electronic flush valve with Selectronic® proximity system for "Hands Free" operation
- Self-Cleaning Piston operation helps prevent clogging and reduces maintenance
- Positive seal ensures leak-free performance
- Fully Mechanical Manual Override Button can flush urinal during a power outage
- Stadium Feature: Valve automatically switches to water conservation mode during periods of heavy usage
- Range can be adjusted manually or by remote control
- Sensor & electronic controls are fully enclosed and water resistant
- Automatically flushes after 24 hours of non-use to maintain trap seal
- 3-second Flush Delay
- Low Battery indicator
- Battery can be changed without turning off the water
- Factory-installed 6V lithium battery included
- Adjustable tailpiece for rough-in flexibility
- Can be installed left or right hand
- Battery life up to 4 years/approx. 200,000 cycles
- Model 6063.013 for 3/4" top spud urinals, 0.125 gpf

Includes:

- 2 Wall hangers
- 3/4" I.P.S. angle stop with back-flow protection and vandal-resistant cap
- Sweat solder kit including cover tube and wall flange
- 3/4" vacuum breaker, spud coupling and flange

To Be Specified:

- ❑ Color: ❑ White



SEE REVERSE FOR ROUGHING-IN DIMENSIONS

Operating Pressure:

Overall Range: 20-125 psi**

Recommended: 20 psi (flowing)-80 psi (static)

** Water pressure over 80 psi is not recommended for most plumbing fixtures.

Flow Requirement:

8gpm (30.3 L/min.)

Nominal Fixture Dimensions:

360 x 480 x 664mm (14-1/8" x 18-7/8" x 26-1/8")

Fixture Compliance Certifications -

Meets or Exceeds the Following Specifications:

- ASME A112.19.2-2008/CSA B45.1-08 for Vitreous China Fixtures

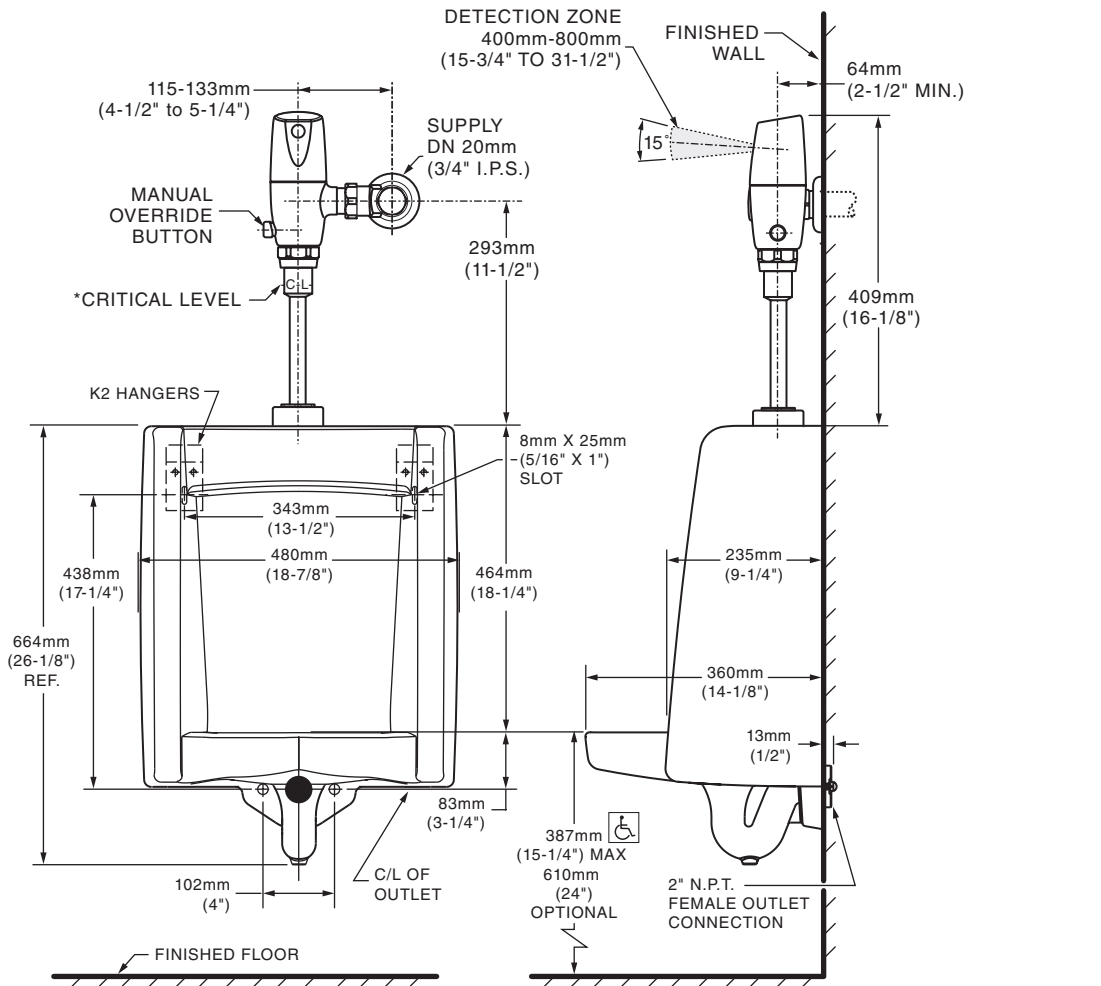
Valve Listings:

- ASSE 1037
- ANSI/ASME A112.19.2
- ADA Compliant

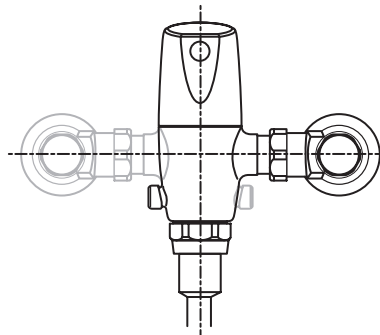


Certified by
IAPMO R&T

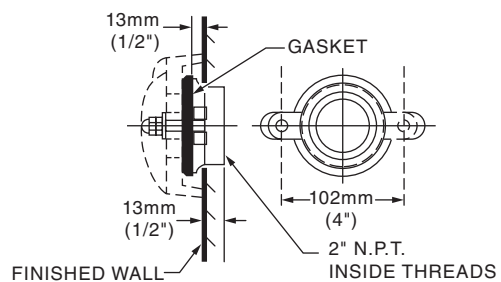




*Note: The Critical Line (-C-L-) on Vacuum Breaker must typically be a minimum of 6" (152mm) above fixture. Consult Codes for details.



VALVE LEFT or RIGHT HAND INSTALLATION



DETAIL OF OUTLET CONNECTION



MEETS THE AMERICANS WITH DISABILITIES ACT GUIDELINES AND ANSI A117.1 ACCESSIBLE AND USABLE BUILDINGS AND FACILITIES - CHECK LOCAL CODES.

- When installed so top of rim is 387mm (15-1/4") from finished floor.

NOTES:

PROVIDE SUITABLE REINFORCEMENT FOR ALL WALL SUPPORTS.

IMPORTANT: Dimensions of fixtures are nominal and may vary within the range of tolerances established by ANSI Standard A112.19.2. These measurements are subject to change or cancellation. No responsibility is assumed for use of superseded or voided pages.