



RESIDENTIAL HIGH DENSITY™ TOILET SEAT



MODEL #

COLOR #

9170CHSL/NISL

DESCRIPTION:

Closed front with cover, round, high density™ molded wood toilet seat. Features two large, no-slip luxury bumpers, Chrome or Brushed Nickel Whisper•Close® with Easy•Clean & Change™ hinges with STA-TITE® Residential Fastening System™. Seat contains DuraGuard® Built-In Seat Protection™.

SPECIFICATIONS:

Size:	Round
Material:	High Density™ Molded Wood
Style:	Closed Front with Cover
Bumpers:	Two
Hinges:	Chrome or Brushed Nickel Whisper•Close® with Easy•Clean & Change™
Fastening System:	STA-TITE® Residential Fastening System™

FEATURES:

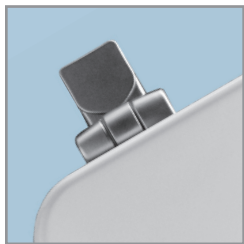
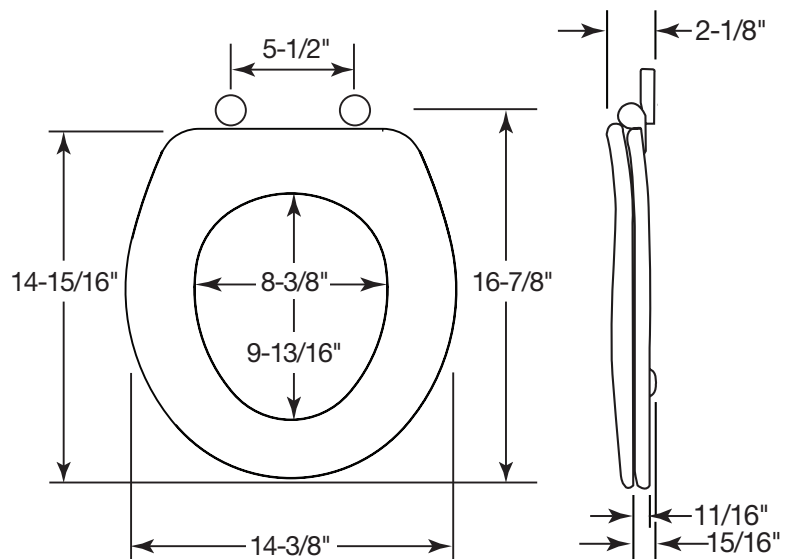
Whisper•Close®

Easy•Clean & Change™

STA-TITE® Residential Fastening System™

DuraGuard® Antimicrobial Built-In Seat Protection™

DIMENSIONS:



METAL WHISPER•CLOSE® WITH EASY•CLEAN & CHANGE™ HINGES



WHISPER•CLOSE® FEATURE



TWIST HINGES TO UNLOCK



EASY REMOVAL OF SEAT FOR THOROUGH CLEANING



NO-SLIP LUXURY BUMPERS



STA-TITE® RESIDENTIAL FASTENING SYSTEM™

Proudly Made in the USA

Bemis Manufacturing Co., Sheboygan Falls, WI 53085
www.BemisSeats.com

Phone: 920-467-4621 | 800-558-7651 Fax: 920-467-8573
©2010 0B7012256