

**Lustertone® Undermount Single Bowl Sink
Models ELU1113 and ELUH1113**



SPECIFICATIONS

GENERAL

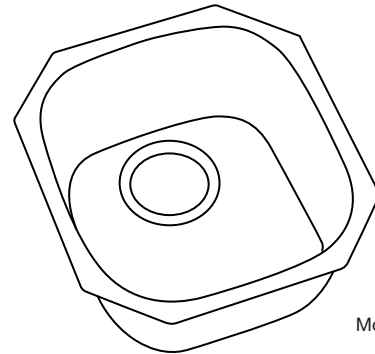
Highest quality sink seamlessly drawn of #18 gauge, type 304 (18-8) nickel bearing stainless steel. Underside of sink is fully protected by heavy duty Sound Guard™ undercoating. Designed to accept waste disposer.

DESIGN FEATURES

Bowl Depth: 5-15/16".
Finish: Exposed surfaces are hand blended to a lustrous highlighted satin finish. ELUH1113 model has highlighted inside top bowl radius.
Underside: Fully protected by heavy duty Sound Guard™ undercoating to prevent condensation and deaden sound.

OTHER

Drain Opening: 3-1/2".
Note: All Elkay custom design undermount sinks are designed to affix easily to the underside of any solid surface countertop.
Installation: See illustrated profile below.
Recommended Minimum Sink Base:



Model ELU1113

These sinks comply with ANSI Standard A112.19.3M.



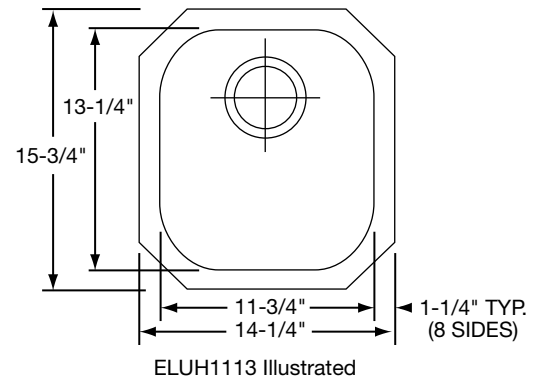
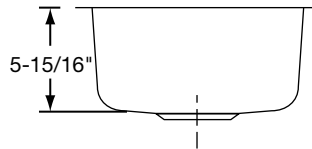
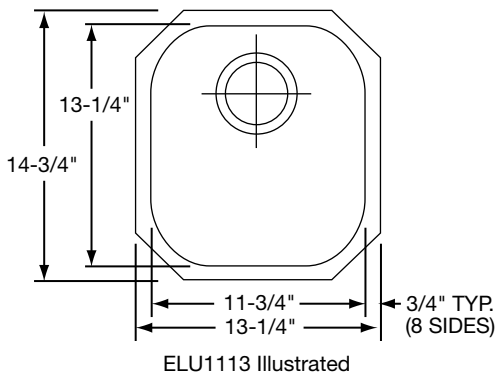
These sinks are listed by the International Association of Plumbing and Mechanical Officials as meeting the requirements of the Uniform Plumbing Code.

SINK DIMENSIONS (INCHES)*

Model Number	Overall		Inside Bowl			Cutout in Countertop	Ship. Wt. Lbs.
	L	W	L	W	D		
ELU1113	13 1/4	14 3/4	11 3/4	13 1/4	5 15/16	See Template**	7
ELUH1113	14 1/4	15 3/4	11 3/4	13 1/4	5 15/16		7

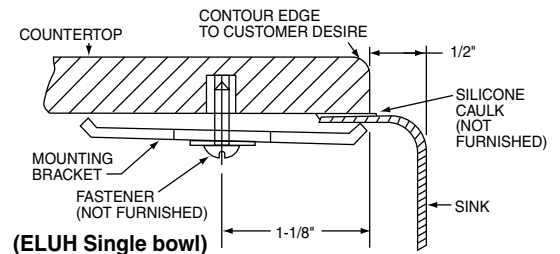
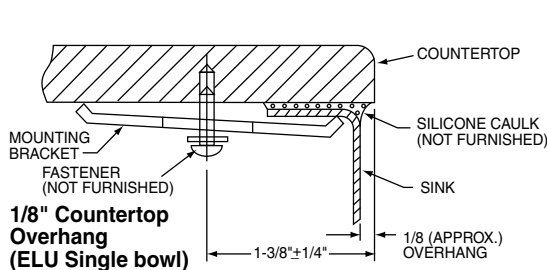
*Length is left to right. Width is front to back.

**Template and countertop mounting clips are packed with every sink.



Installation Profile of ELU and ELUH Single Bowl Models

The template provided with each ELU/ELUH sink provides the only type of installation recommended by Elkay.



ALL DIMENSIONS IN INCHES, TO CONVERT TO MILLIMETERS MULTIPLY BY 25.4.

In keeping with our policy of continuing product improvement, Elkay reserves the right to change product specifications without notice.

This specification describes an Elkay product with design, quality and functional benefits to the user. When making a comparison of other producers' offerings, be certain these features are not overlooked.