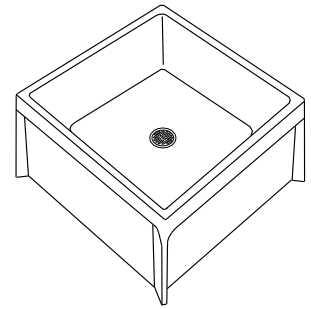


# MOLDED STONE SERVICE BASINS

## MSB 2424 MSB 3624



### INSTALLATION INSTRUCTIONS

1. REMOVE CRATE AT INSTALLATION POINT. DO NOT ROCK MOP BASIN EDGES. (THIS PRECAUTION WILL PREVENT DAMAGE TO CORNERS OF THE BASIN).

METHOD FOR CHECKING FACE OF MOP BASIN FLOOR FOR TRANSPORTATION DAMAGE:

- A. WIPE FACE OF BASIN FLOOR WITH A WET CLOTH. (WATER)
- B. WHEN THE WATER EVAPORATES, ANY SLIGHT CRACK IN THE MOP BASIN FLOOR WILL BE NOTICEABLE.

2. NOTE BASIN DIMENSIONS IN THE DIAGRAM. BASIN TYPICALLY IS PLACED NEXT TO A FINISHED BLOCK, CERAMIC TILE OR CONCRETE WALL. A SMALL GAP (APPROXIMATELY 1/8") SHOULD BE PRESENT BETWEEN THE BASIN AND THE FINISHED WALLS.

3. PROVIDE FOR DRAIN CONNECTION. THE STAINLESS STEEL DRAIN BODY IS DESIGNED TO PROVIDE FOR A CAULK CONNECTION OR QDC-3 JOINT TO A 3" DRAIN PIPE. 3" DRAIN PIPE PROVIDED BY OTHERS. (ALTERNATE STRAINER 1453-BB FOR RESIDENTIAL USE EFS-2424 AND EFS-3624 USE 2" PIPE PROVIDED BY OTHERS)

4. PLAN THE INSTALLATION BY CONSIDERING THE LOCATION OF A WATER SUPPLY FAUCET. MOP AND HOSE HANGER BRACKETS MAY ALSO BE INSTALLED. NOTE ON THE DIAGRAMS THE SUGGESTED LOCATION OF THESE ITEMS.

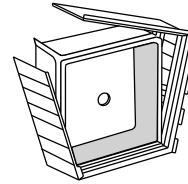
#### MOP BASIN INSTALLATION

5. A LAYER OF MORTAR SHOULD BE PLACED IN THE AREA WHERE THE MOP BASIN IS TO BE INSTALLED. THIS PROCEDURE IS RECOMMENDED BY FIAT IN ORDER TO SUPPORT THE BASIN IN CASE THE SUB FLOOR IS UNEVEN. MORTAR SHOULD COVER THE ENTIRE AREA BETWEEN BASIN AND BUILDING FLOOR.

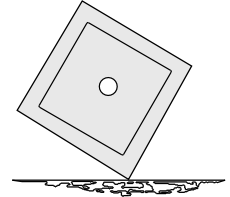
**WARNING!** DO NOT DROP THE MOP BASIN OVER AN EXPOSED DRAIN PIPE. LIFT AND PLACE THE BASIN CAREFULLY TO AVOID DAMAGE.

#### LEVEL RECEPTOR CAREFULLY

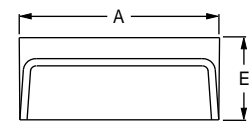
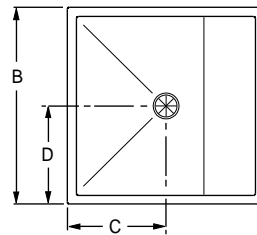
6. USE A SPIRIT LEVEL ON TOP OF THE BASIN TO ASSURE LEVEL. REMOVE ANY EXCESS MORTAR THAT MAY HAVE SQUEEZED OUT AFTER BASIN INSTALLATION IS COMPLETE.
7. CAULK GAP BETWEEN FINISHED WALL AND MOP BASIN USING SILICONE CAULKING.



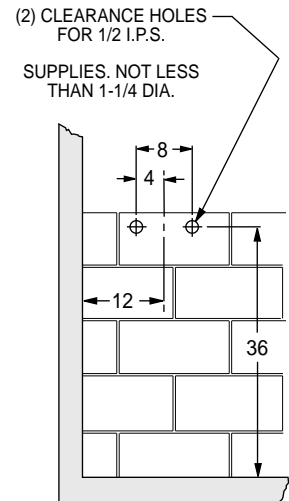
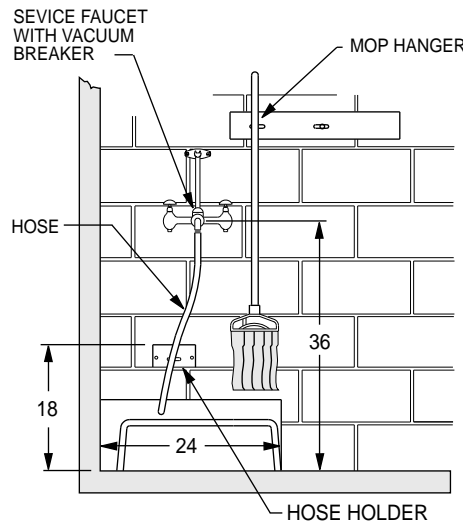
REMOVE CRATE WITH CARE



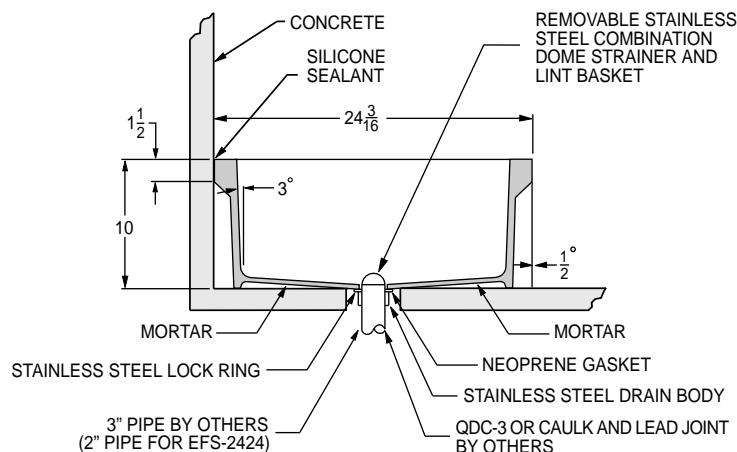
DO NOT STAND ON END



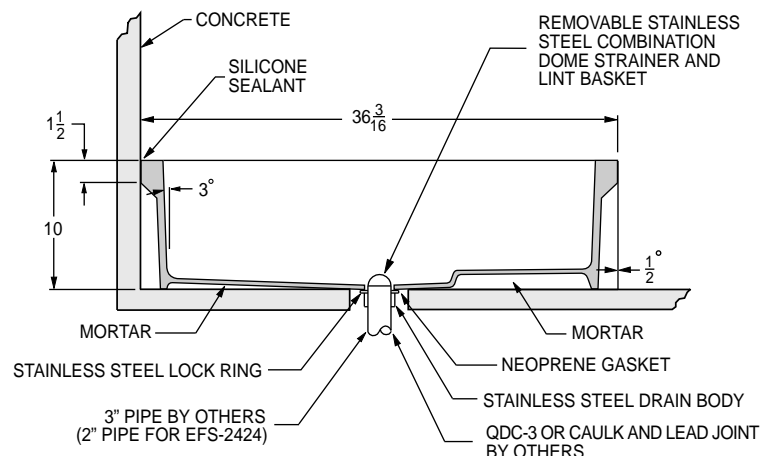
MODEL NO.	A	B	C	D	E
MSB-2424	24 3/16	24 3/16	12	12	10
MSB-3624	36 3/16	24 3/16	18	12	10



#### MSB 2424 DETAIL



#### MSB 3624 DETAIL



DO NOT STACK OR STORE MOP BASINS FLAT