



TB Series True Union Ball Valves

1/4" TO 3/8" PVC AND
1/2" TO 2" PVC, CPVC AND GFPP

KEY FEATURES

- Available in PVC, CPVC and GFPP
- Full Port Design
- Reversible PTFE Seats
- Double O-Ring Stem Seals
- Easily Actuated
- NSF / ANSI 61 and NSF / ANSI 372 Listed

OPTIONS

- Lockouts Available
- 2" Square Operating Nut
- Stem Extensions
- Pneumatic and Electric Actuators
- Spring Return Handle

MATERIALS

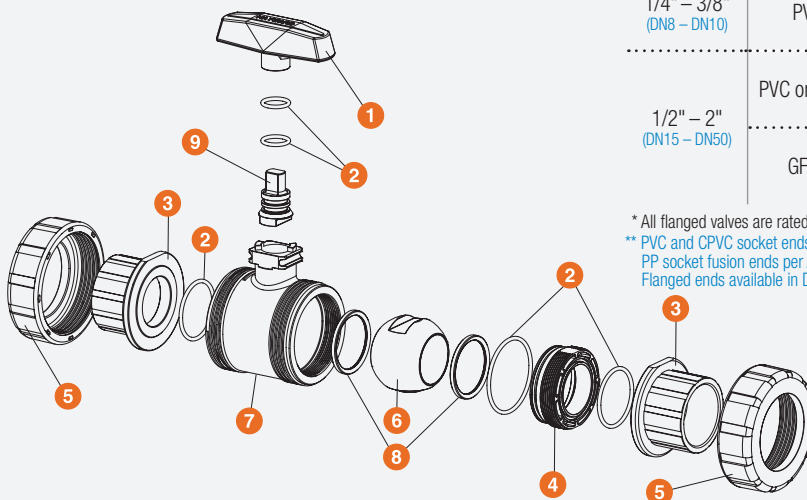
- PVC Cell Class 12454 per ASTM D1784
- CPVC Cell Class 23447 per ASTM D1784
- GFPP Cell Class 85580 per ASTM D4101
- FPM and EPDM O-Ring Seals



Certified to
NSF/ANSI 61 & 372
PVC and CPVC

TECHNICAL INFORMATION

EXPLODED VIEW



SELECTION CHART

SIZE	MATERIAL	END CONNECTION	SEALS	PRESSURE RATING
1/4" – 3/8" (DN8 – DN10)	PVC	Socket and Threaded		250 PSI @ 70°F 16 Bar @ 21°C Non-Shock
1/2" – 2" (DN15 – DN50)	PVC or CPVC	Socket and Threaded or Flanged*	FPM or EPDM	150 PSI @ 70°F 10 Bar @ 21°C Non-Shock
	GFPP	Threaded, Socket Fusion or Flanged		

* All flanged valves are rated to 150 PSI @ 70°F Non-Shock (10 Bar @ 21°C)
** PVC and CPVC socket ends available to ISO 727-1 and threaded ends to BS21.
PP socket fusion ends per ASTM F2389 and threaded ends per BS21.
Flanged ends available in DIN / EN PN10.

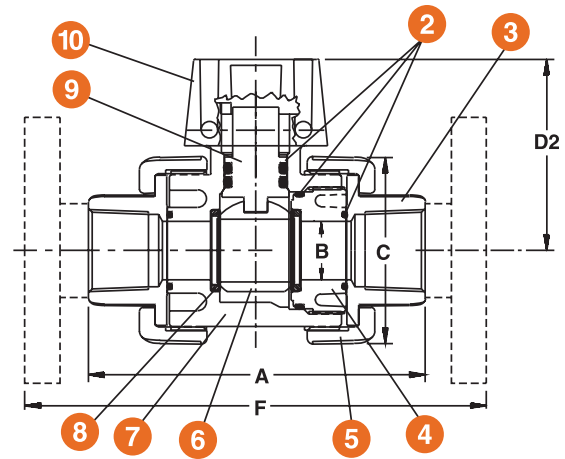
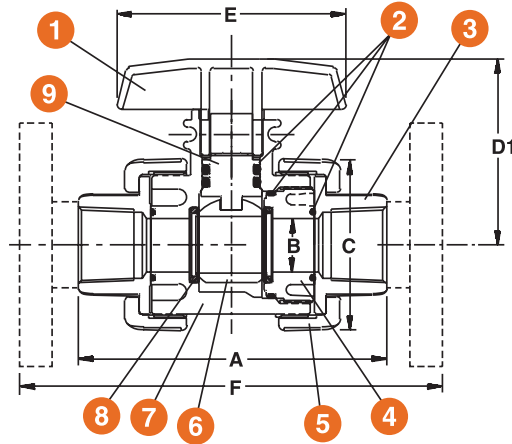
TB Series True Union Ball Valves

1/4" TO 2" PVC, CPVC AND GFPP

TECHNICAL INFORMATION, CONTINUED

PARTS LIST

1. Handle
 2. O-Ring Seals
 3. End Connector
 4. Seal Retainer
 5. Union Nut
 6. Ball
 7. Body
 8. PTFE Seat
 9. Stem
 10. Actuator Mounting Pad
- * Mounting bracket sold separately



DIMENSIONS

SIZE in / DN	A in / mm	B in / mm	C in / mm	D1 in / mm	D2 in / mm	E in / mm	F in / mm	WEIGHT lbs / kg	
								SOC / THD	FLANGED
1/4 / 8	4.77 / 121	.50 / 13	2.25 / 57	2.81 / 71	2.63 / 67	3.50 / 89	N/A	.75 / .34	N/A
3/8 / 10	4.77 / 121	.50 / 13	2.25 / 57	2.81 / 71	2.63 / 67	3.50 / 89	N/A	.75 / .34	N/A
1/2 / 15*	4.77 / 121	.50 / 13	2.25 / 57	2.81 / 71	2.63 / 67	3.50 / 89	6.75 / 171	.75 / .34	1.00 / .45
3/4 / 20*	4.85 / 123	.75 / 19	2.63 / 67	3.02 / 77	2.81 / 71	3.50 / 89	7.13 / 181	.75 / .34	1.00 / .45
1 / 25*	5.44 / 138	.93 / 24	3.00 / 76	3.26 / 83	3.05 / 77	4.00 / 102	8.09 / 205	1.15 / .52	2.15 / .98
1-1/4 / 32*	6.30 / 160	1.50 / 38	4.00 / 102	3.92 / 100	3.48 / 88	5.00 / 127	9.19 / 233	2.15 / .98	3.50 / 1.59
1-1/2 / 40*	6.85 / 174	1.50 / 38	4.00 / 102	3.92 / 100	3.48 / 88	5.00 / 127	9.88 / 251	2.15 / .98	3.75 / 1.70
2 / 50*	8.00 / 203	1.94 / 49	4.75 / 121	4.43 / 113	4.00 / 102	5.00 / 127	11.4 / 290	3.80 / 1.72	6.30 / 2.86

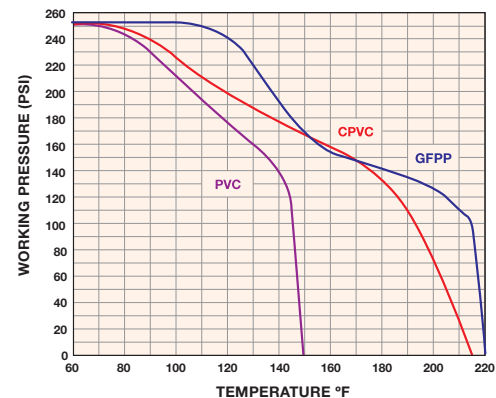
Dimensions are subject to change without notice – consult factory for installation information

* Metric End Connections Available In: BSP – Straight Thread, BSP TR – Tapered Thread and Metric Socket

Cv VALUES

SIZE in / DN	Cv VALUES	SIZE in / DN	Cv VALUES	PRESSURE LOSS CALCULATION FORMULA
1/4 / 8	1.0	1 / 25	29.0	
3/8 / 10	2.8	1-1/4 / 32	75.0	
1/2 / 15	8.0	1-1/2 / 40	90.0	
3/4 / 20	16.0	2 / 50	150.0	

OPERATING TEMPERATURE/PRESSURE



Hayward is a registered trademark
of Hayward Industries, Inc.
© 2018 Hayward Industries, Inc.

USA: 1.888.429.4635 • Fax: 1.888.778.8410 • One Hayward Industrial Drive • Clemmons, NC 27012 • Email: hfcsales@hayward.com

Canada: 1.888.238.7665 • Fax: 1.905.829.3636 • 2880 Plymouth Drive • Oakville, ON L6H 5R4 • Email: hfcanada@hayward.com

Visit us at: haywardflowcontrol.com