

ELKAY[®]

SPECIFICATIONS

Lustertone[®] Sink-ette[®] Single Bowl Sink with Double Drainboard Model ILR5422DD

GENERAL

ILR5422DD drop-in sink-ette with drainboard on left and right of sink bowl. The ideal solution to where to place a hot pot! Highest quality Lustertone sink bowl and integral fan pitched drainboards seamlessly drawn of #18 gauge, type 304 (18-8) nickel bearing stainless steel. Self-rimming.

DESIGN FEATURES

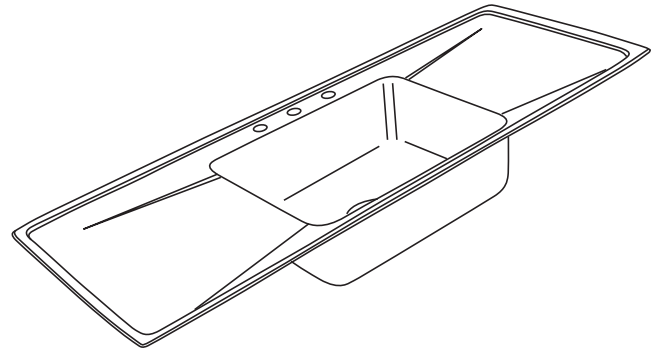
Bowl Depth: 7-5/8".
Coved Corners: 1-3/4" vertical and horizontal radius.
Finish: Exposed surfaces hand blended to lustrous highlighted Lustertone satin finish.
Underside: Fully undercoated to prevent condensation and deaden sound.

OTHER

Drain Opening: 3-1/2".
NOTE: Unless otherwise specified, sink is furnished with 3 faucet holes as illustrated.

OPTIONAL ACCESSORIES

Rinsing Basket: LKERBSS.
This sink complies with ANSI Standard A112.19.3M.



Model ILR5422DD3

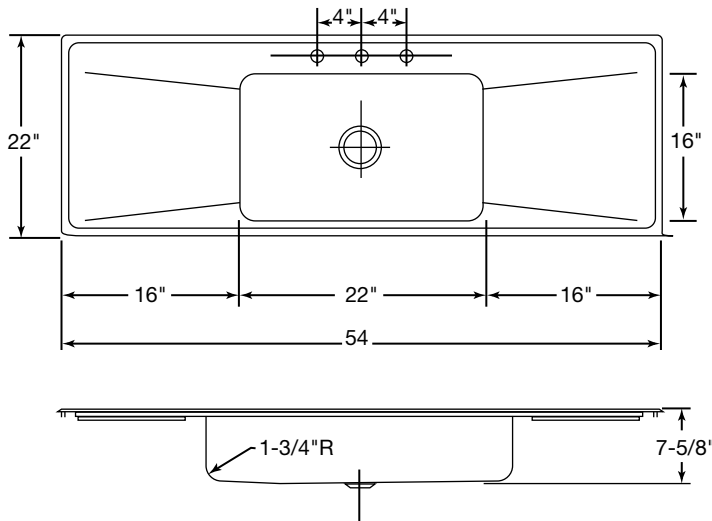


This sink is listed by the International Association of Plumbing and Mechanical Officials as meeting the requirements of the Uniform Plumbing Code.

SINK DIMENSIONS (INCHES)*

Model Number	Overall		Inside Each Bowl			Drain-board Length	Bowl Location	Cutout in Countertop (1 1/2" Radius Corners)		No. of 1 1/2" Dia. Faucet Holes 4" Center	Minimum Cabinet Size	Ship. Wt. Lbs.
	L	W	L	W	D			L	W			
ILR5422DD	54	22	22	16	7 5/8	16	Center	53 3/8	21 3/8	1, 2, 3, 4 or 5	57	40

*Length is left to right. Width is front to back.



Model ILR5422DD3 Illustrated

ALL DIMENSIONS IN INCHES, TO CONVERT TO MILLIMETERS MULTIPLY BY 25.4.

In keeping with our policy of continuing product improvement, Elkay reserves the right to change product specifications without notice.

This specification describes an Elkay product with design, quality and functional benefits to the user. When making a comparison of other producers' offerings, be certain these features are not overlooked.