

Features

- High-arch spout offers superior clearance for filling pitchers, chilling bottles, and cleanup.
- Quarter-turn washerless ceramic disc valves.
- Ceramic disc valves exceed industry longevity standards, ensuring durable performance for life.
- Two scroll lever handles offer separate control of hot and cold water.
- 5-3/16" (132 mm) stationary gooseneck spout reach.
- Complements Revival® Suite.
- 1.8 gpm (gallons per minute) maximum flow rate at 60 psi.

Material

- Premium metal construction.
- KOHLER finishes resist corrosion and tarnishing.

Installation

- For 4" (102 mm) centers.
- Lower flow aerator options are available (refer to the Kohler Price Book).



ADA

Codes/Standards


ASME A112.18.1/CSA B125.1
All applicable US Federal and State material regulations
DOE - Energy Policy Act 1992
ADA
ICC/ANSI A117.1

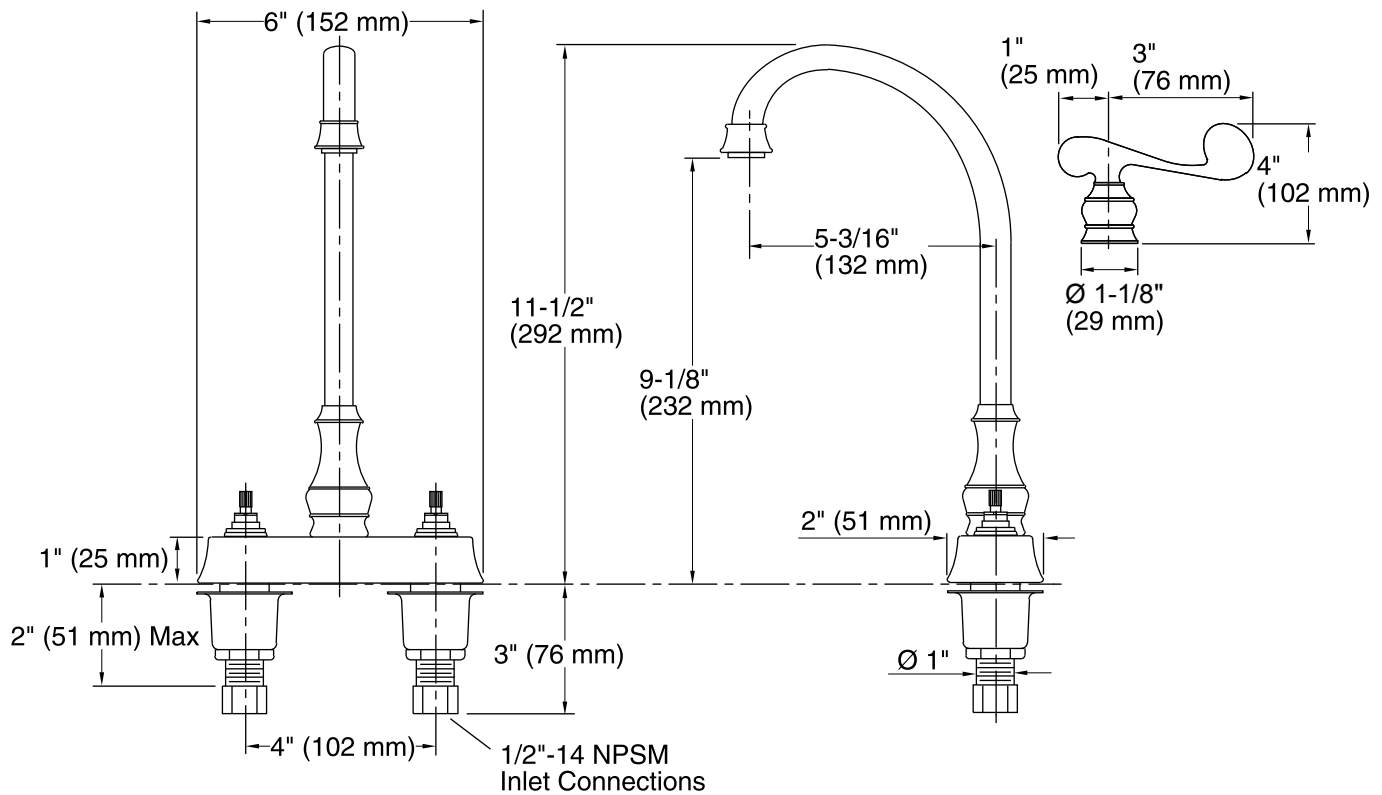
KOHLER® One-Year Limited Warranty

See website for detailed warranty information.

Available Color/Finishes

Color tiles intended for reference only.

Color	Code	Description
	CP	Polished Chrome
	PB	Vibrant® Polished Brass
	BN	Vibrant® Brushed Nickel
	BV	Vibrant® Brushed Bronze



Technical Information

All product dimensions are nominal.

Spout:

Spout reach: 5-3/16" (132 mm)

Handle clearance: 3" (76 mm)

Faucet:

Flow rate: 1.8 gal/min (6.8 l/min)

Pressure: 60 psi (4.1 bar)

Notes

Install this product according to the installation guide.

ADA compliant when installed to the specific requirements of these regulations.