

Features

- Grip-Tight Bumpers add stability and prevent shifting.
- Quick-Release functionality allows the seat to be removed quickly for easy cleaning
- Quick-Attach hardware speeds up installation and provides tight, secure fit.



Codes/Standards




IAPMO/ANSI Z124.5

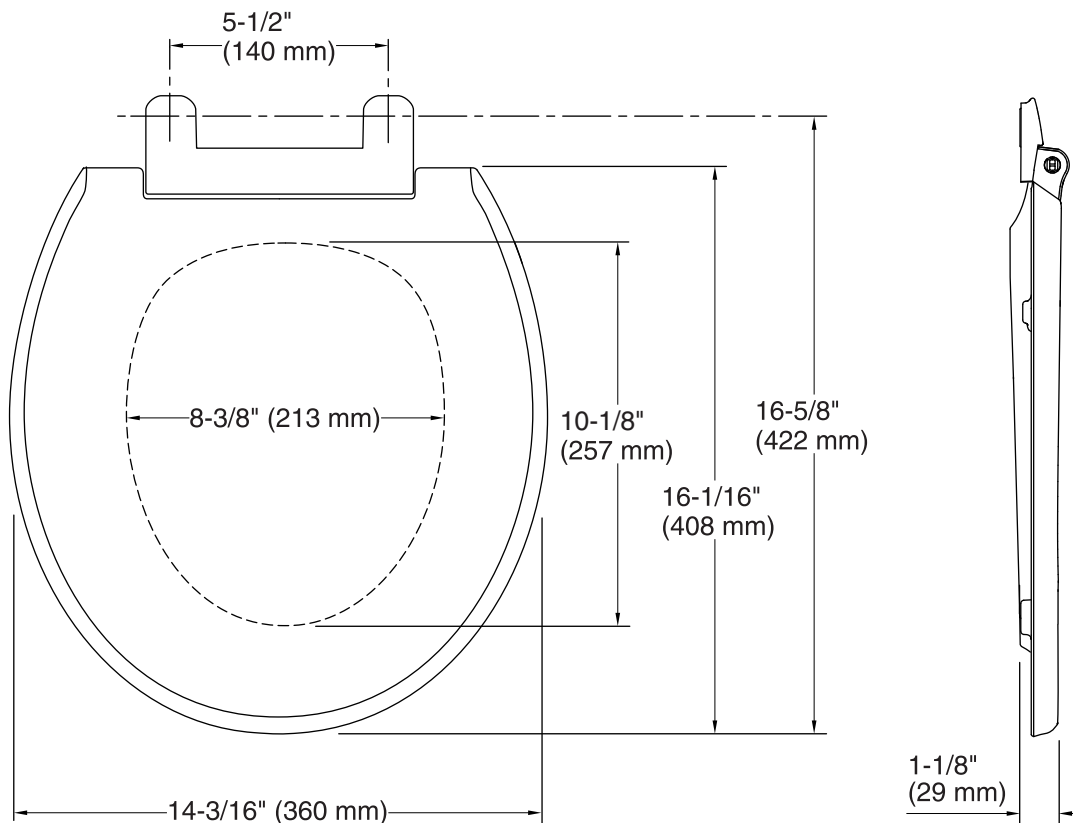
KOHLER® One-Year Limited Warranty

See website for detailed warranty information.

Available Color/Finishes

Color tiles intended for reference only.

Color	Code	Description
	0	White
	96	Biscuit
	47	Almond



Technical Information

All product dimensions are nominal.

- Seat shape type: Round
Seat front type: Closed front
Seat hinge type: Quick-Release™, Quick-Attach®
Seat-mounting holes: 5-1/2" (140 mm)

Notes

Install this product according to the installation guide.