



AC Canned Spherical Motor Centrifugal Pumps

Applications

Specifically designed for the following use:
Recirc Pump for Standard Water Heaters

Specifications

Pump:

- Pipe Connections:
1/2" NPT connection to the angle stops
- Maximum Working Pressure: 145 PSI
- Maximum Temperature: 203° F
- Rotation: counter clockwise when viewed from the motor end

Motor:

- AC Magnetically Driven Spherical Motor
- 115 Volt 14 Watts 60 Hz, 3450 RPM
- Automatic Overload Protection

Ceramic Bearing Ball and Carbon Bearing Cap:

High density ceramic bearing ball and graphite impeller bearing cap designed for high efficiency and long life.

Impeller

Highly efficient and dynamically balanced with carbon bearing for smooth ultra quiet operation.

Casing:

Casing is Lead Free Brass Volute type construction.

Mechanical Seal:

Unique patented design has no mechanical seal which is a potential leak path.

Motor:

Patented spherical motor pump design is ultra quiet and is designed for continuous operation. All ratings are within working limits of the motor.

Features

Compact Design:

Close coupled, space saving design provides easy installation.

Mounting:

Pump can be mounted horizontally or vertically with motor end down.

Motor Bracket:

Plastic snap ring easy for installation.

Construction:

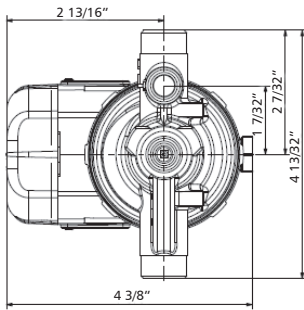
Lead Free Brass* construction.

Noise level:

Whisper quiet, less than 30 db.

* Less than 0.25% Pb on wetted parts surface areas.

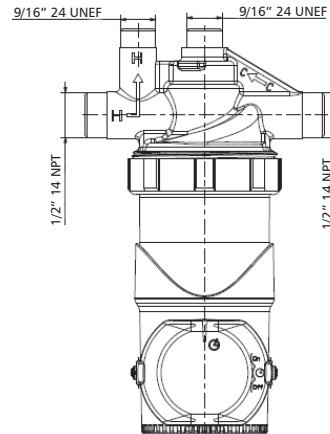
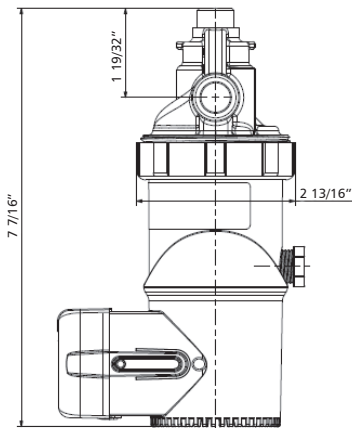
* As defined by CA AB1953



Materials of Construction (Wetted Parts)

Part	Materials
Pump Housing	Lead Free Brass
"O" Ring	EPDM
Impeller	Nylon/PPO
Bearing	Carbon/Ceramic
All Other Wetted Parts	316 Stainless Steel or Plastic
Weight	Less than 4lbs.

* Less than 0.25% Pb on wetted parts surface areas.



Available Models

Part Number	Description	Model	Weight
LHB08100092	Lead Free Brass* Autocirc 1/2" Fixed Thermostat with Timer	E1-BCANCT1W-06	4lbs.
LHB08100093	Lead Free Brass* Autocirc 1/2" Adjustable "ON" Thermostat with Timer	E1-BCANRT1W-06	4lbs.

*Less than 0.25% Pb on wetted parts surface areas.

ITT
3878 S. Willow, Suite 104
Fresno, CA 93725
Tel: (559) 265-4730 (800) 554-6853
Fax: (559) 265-4740 (800) 453-7523
www.lainginc.itt.com



Engineered for life