



ITD35 / ITD5135

ISLAND TUB DRAIN™ (ROUGH-IN) - TESTABLE

Description:

Island Tub Drain™ (Testable Rough-in) for Freestanding Tubs

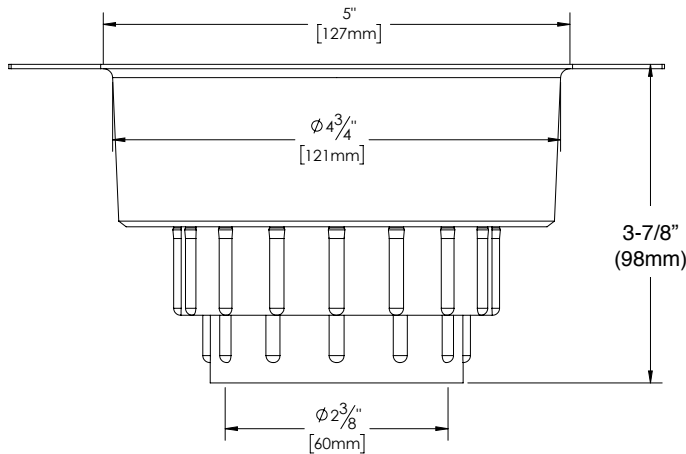
Features:

- Asymmetric design 18 Gauge Epoxy coated Metal Deck Plate with holes to lock to Thinset
- Snap off Test Cap (Rated to 30psi)
- ITD35 features an ABS Body/Tailpiece.
- ITD5135 features a White PVC Body/Tailpiece
- ITD() is a Freestanding Tub rough-in (install before tile installation)
- Low profile design allows for installation in 8" joist spaces or greater
- NOTE: Island Tub Drain™ IS NOT FOR USE with liquid applied or sheet membranes
- NOTE: Island Tub Drain™ MUST BE INSTALLED in a dry area with no potential of water contact

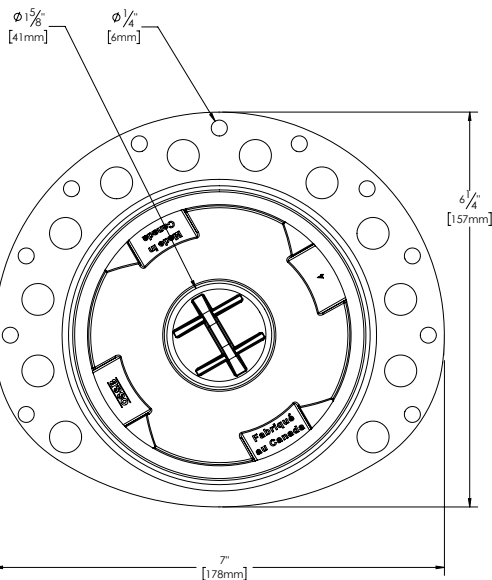
Certification*



*The "cCSAus Meets UPC" mark means the product conforms to the requirements of the NPC, UPC, IPC and IRC.



ITD35 (ABS)



ITD5135 (PVC)

Oakville Stamping and Bending Ltd.

2200 Speers Road, Unit C. Oakville, ON. Canada. L6L 2X8.

T. 905.827.0320 or toll free 1.877.314.6040 F. 905.827.6375 or toll free 1.877.827.6040.

All rights reserved. OS&B™ reserves the right to change product specifications and material or discontinue models without notice.

www.osb.ca (Canada) www.osbplumbing.com (USA)