

## LeakBreaker® Water Heater Shut-Off

The Taco LeakBreaker® is a water heater leak protection device that protects against flood damage from the containment failure of a water heater. It consists of a control unit, valve with actuator and sensor. This resettable, testable protection device can be installed on any style water heater to shut-off the incoming water supply, preventing additional water flow to a damaged water heater. The multi-color LED light and audible alarm lets you know the status of LeakBreaker at all times.

Featuring **eLink™**  
Taco Connectivity



LeakBreaker with eLink™ uses Wi-Fi® to communicate with the cloud, enabling status alerts to be sent directly to the users whenever a change occurs. eLink, Taco Comfort Solutions' wireless connectivity platform, provides users with real-time product information, direct to their mobile device or desktop.



Installation of the control unit, valve and sensor is a snap.

LeakBreaker is available with and without eLink capability.



# Submittal Data Information LeakBreaker® Water Heater Shut Off

Submittal Data # 101-178  
Supersedes: 06/15/17

Effective: 01/18/18

## Features

- eLink™ sends text and/or email alerts
- WLAN 802.11 — b/g/n Compatible
- Re-Settable and Testable
- Quick Connect Wiring
- Operates on Batteries or Power Supply
  - Power Supply with Battery Backup on eLink Model
- Multi-Color LED Status Light
- Audible Alarm
- Alarm Mute
- 2 N/O; N/C Dry Contacts
- Full Port Valve
- Easy Removable Actuator

## Product Specifications

- Max. Operating Pressure ..... 140 PSI
- Max. Shut Off Pressure ..... 125 PSI
- Max. Static Pressure ..... 300 PSI
- Maximum Ambient Temp ..... 135°F
- Water Temp ..... 33°F to 220°F
- Service ..... Potable Water
- Flow Coefficient ..... Cv 32 Kv 27.3

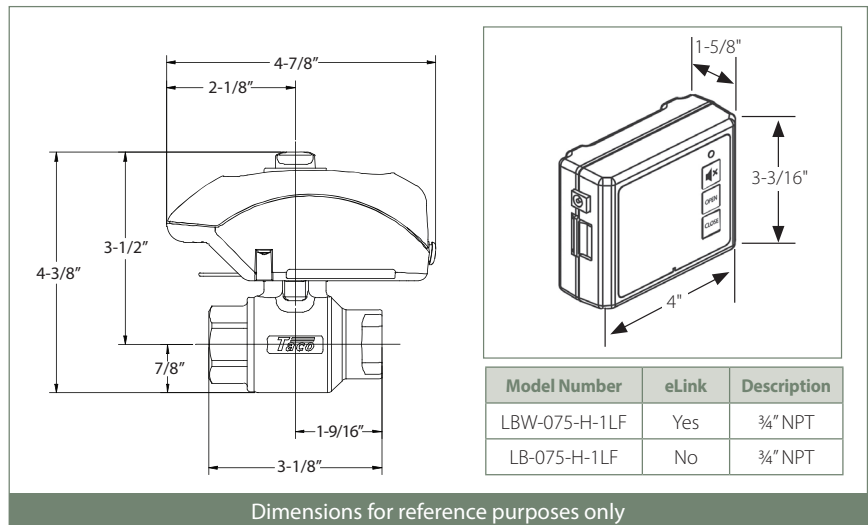
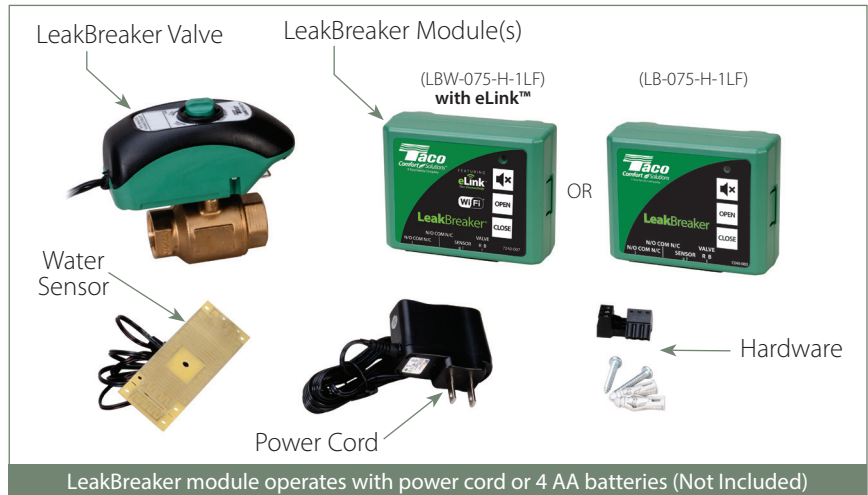
## Materials

- Control Panel** ..... High Performance Engineered Polymer
- Actuator**
- Body ..... High Performance Engineered Polymer
- Gears ..... High Performance Internally Lubricated Engineered Polymer
- Valve**
- Body ..... Forged Brass
- Stem ..... Brass
- Press Ring ..... Brass
- Ball ..... Brass (Chrome Plated)
- Seats ..... Modified Teflon®
- O-Rings ..... Viton®

## Application

The Taco LeakBreaker is installed on the incoming cold water supply to the water heater, shutting off the water to a leaking water heater. The plumb and plug design is specifically engineered for use on a new or retrofit installation. Components are pre-wired to simplify the installation process, just plug in the sensor, valve, power supply and/or batteries. LeakBreaker can be tested anytime and then be reset to guard against a future leak.

The LeakBreaker with eLink™ technology uses Wi-Fi® to send alerts via email or text. Notifications will be sent when the device detects status changes for the following: alarm activation, AC or battery power, sensor and valve connection, and module connectivity.



## Approval



Taco Inc., 1160 Cranston Street, Cranston, RI 02920 / (401) 942-8000 / Fax (401) 942-2360  
Taco (Canada) Ltd., 8450 Lawson Road, Unit #3, Milton, Ontario L9T 0J8 / (905) 564-9422 / Fax (905) 564-9436