

Soirée® Single-handle Lavatory High-Efficiency Faucet, 1.5 gpm

FEATURES

- WaterSense certified low-flow 1.5 gpm faucet
- Lever handle
- Solid brass construction
- Ceramic disk mixing cartridge
- Accommodates 8" -16" spread
- Metal pop-up waste assembly

COLORS/FINISHES

- #CP Polished Chrome
- #BN Brushed Nickel
- #PN Polished Nickel

CODES/STANDARDS

- Meets or exceeds ASME A112.18.1/CSA B125.1, NSF 61-9
- Certifications: IAPMO (cUPC), EPA Watersense, State of Massachusetts, City of Los Angeles, and others
- Code Compliance: UPC, IPC, NSPC, NPC Canada, and others
- Legislative Compliance: California AB1953, Vermont S.152 & Maryland HB. 372
- ADA compliant



PRODUCT SPECIFICATION

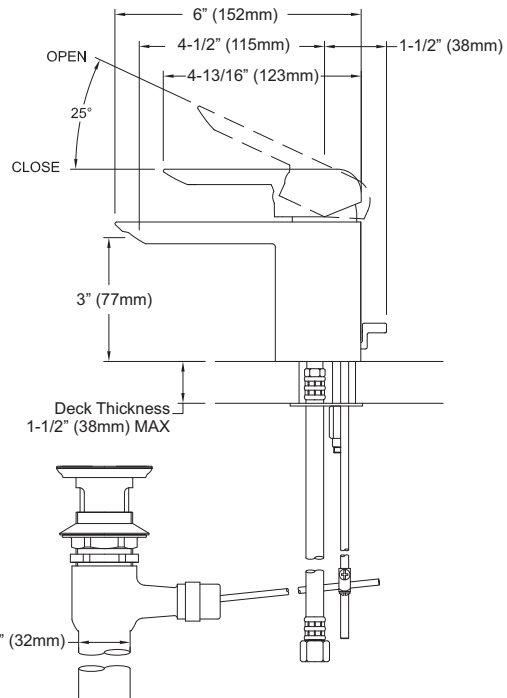
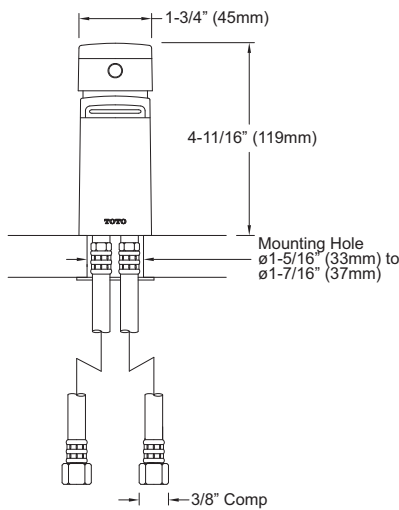
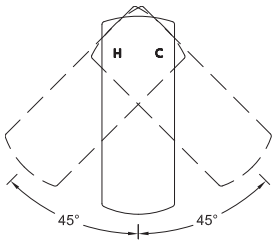
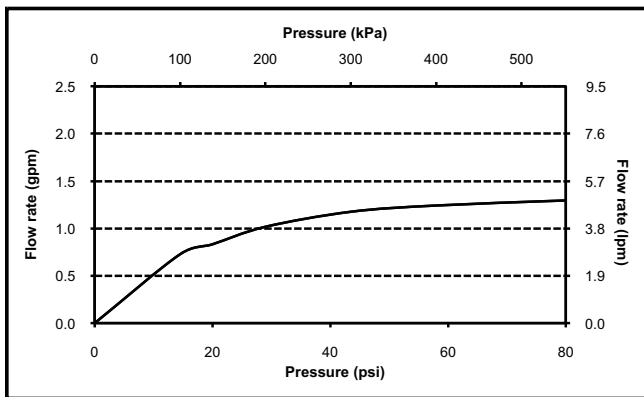
The widespread lavatory faucet shall have a maximum flow rate of 1.5 gpm (5.7 lpm). Product shall have a lever handle. Product shall have a solid brass construction. Product shall have a ceramic mixing valve cartridge. Product shall accommodate 8" -16" spread. Product shall include metal pop-up waste assembly. Product shall be compliant with California AB1953, Vermont S.152 & Maryland HB. 372. Product shall be TOTO Model TL960SDLO#_____.

TL960SDLQ

Soirée® Single-handle Lavatory High-Efficiency Faucet, 1.5 gpm

SPECIFICATIONS

- Warranty Lifetime Limited Warranty (Residential Use)
One Year (Commercial Use)
- Material Brass
- Shipping Weight 6.0 lbs.
- Shipping Dimensions 20-1/2" L x 9-3/4" W x 3-1/2" H
- Maximum Flow Rate 1.5 gpm (5.7 lpm)



TOTO

These dimensions and specifications are subject to change without notice