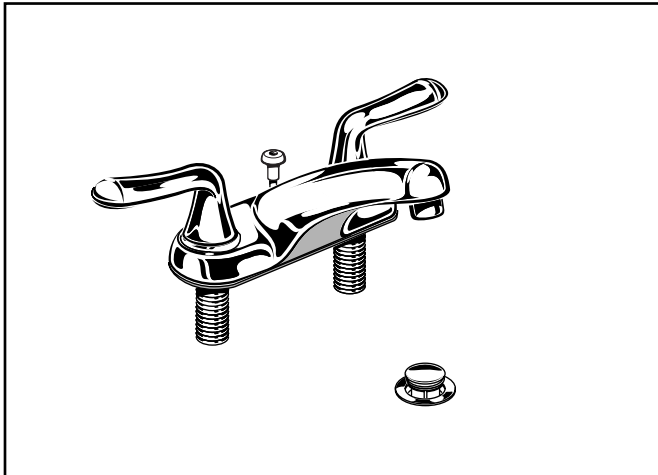


*American Standard*

# Colony Soft

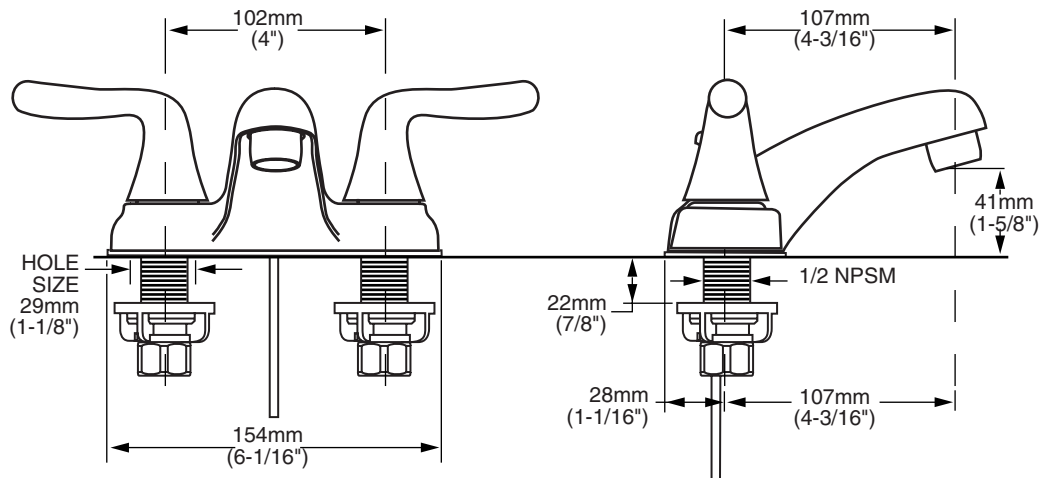
## TWO-HANDLE CENTERSET LAVATORY FAUCET



2275.500 Shown.

### MODEL NUMBER:

- 2275.500 Centerset Lavatory Faucet**  
Lever Handles. 50/50 Pop-up drain.
- 2275.505 Centerset Lavatory Faucet**  
Lever Handles. Less drain. With pop-up hole, plug button and rod.
- 2275.509 Centerset Lavatory Faucet**  
Lever Handles. Metal Pop-up drain.



### GENERAL DESCRIPTION:

Centerset lavatory faucet on 4" centers. 1/4 turn washerless ceramic disc valve cartridges. Durable cast brass waterways with one-half inch male inlet shanks. Metal body. Color matched underbody. 2.2 gpm/8.3L/min. maximum flow rate. Metal lever handles.

### PRODUCT FEATURES:

**Cast Brass Waterways with "City Shanks":** Strong and durable. Integral tabs on casting provide a wobble-free installation.

**Ceramic Disc Valve Cartridges:** Assures a lifetime of drip-free performance.

**Low Lead:** Meets NSF Standard 61/Section 9 & Prop 65 lead requirements.

**Longer Spout:** Provides extended reach into lavatory.

**Simple Installation:** Fast and easy one person installation. Faucet drops in from top. Quick spin nuts secure faucet in place.

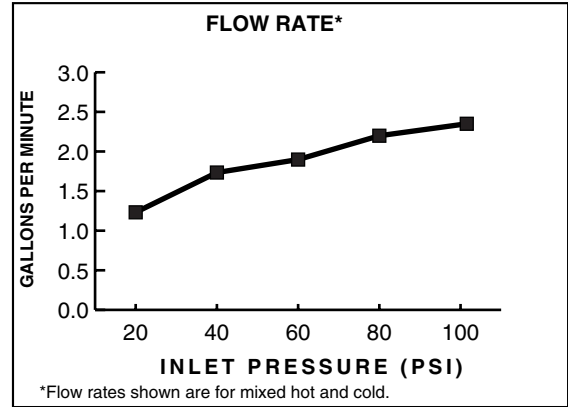
### SUGGESTED SPECIFICATION:

Two-handle 4" centerset lavatory faucet shall feature a cast brass waterway. Shall also feature 1/4 turn washerless ceramic disc valve cartridges. Fitting shall be American Standard Model # 2275.\_\_\_\_.\_\_\_\_.

### CODES AND STANDARDS


These products meet or exceed the following codes and standards:

- ANSI A117.1
- ASME A112.18.1
- CSA B125
- NSF 61/Section 9



Product Number	Description	Finish Options		
		Polished Chrome	PVD Polished Brass	P. Chrome /PVD Brass Mix
2275.500	Centerset lavatory. Lever Handles. 50/50 Pop-up drain.	002	099	299
2275.505	Centerset lavatory. Lever Handles. Less drain. With pop-up hole and rod.		N/A	N/A
2275.509	Centerset lavatory. Lever Handles. Metal Pop-up drain.			

**N/A = NOT AVAILABLE**

 Meets the American Disabilities Act Guidelines and **ANSI A117.1** Requirements for the physically challenged.